



HERCULES

100.10 | 130.10 | 190.10 | 210.10 | 230.10

DIECI



CONTINUOUS EVOLUTION

Constantly ahead in terms of technological solutions, Dieci continues the evolutionary process of its vehicles, raising its standards even higher with the **New Construction Range**.

Reliability, efficiency and safety are enhanced through improved technologies and instrumentation and the introduction of **technically advanced solutions**.

New stage V engines, **more intuitive and functional controls**, evolved diagnostics, **new chassis** and **new transmissions** bring tomorrow's telehandlers into the field today.

The **Hercules** family, the strongest of the Dieci construction vehicles, breaks all limits in terms of load capacity, reaching a maximum payload of up to 23 tonnes and a height of 10 meters. Strength, stability and robustness make this telescopic handler a **true legend for heavy-duty work**.

HERCULES

100.10 | 130.10 | 190.10 | 210.10 | 230.10

THE TELESCOPIC STRENGTH

The strongest of the Dieci construction vehicles, it breaks all limits in terms of load capacity. Engine **power and torque** ensure **maximum performance**, while the 4 driving and steering wheels provide **traction and agility** on all terrain.



100.10 HERCULES

- ↑ Height 9.5 m
- ⚖ Capacity 10 t

130.10 HERCULES

- ↑ Height 9.5 m
- ⚖ Capacity 13 t

190.10 HERCULES

- ↑ Height 10.2 m
- ⚖ Capacity 19 t

210.10 HERCULES

- ↑ Height 10.2 m
- ⚖ Capacity 21 t

230.10 HERCULES

- ↑ Height 10.15 m
- ⚖ Capacity 23 t





HOISTING SAFETY

- **Anti-tilt system:** automatic blocking of dangerous movements in the case of vehicle overload, for the protection of everyone and everything.
- **ROPS-FOPS cab:** operator accommodated and protected in a comfortable shell.
- **Arm too high** function: travel speed limited automatically when the boom is raised to keep the vehicle stable.
- **Lateral tilt corrector:** the vehicle adapts to all soil conditions for safe leveling.
- **Automatic equipment recognition:** the vehicle configures itself in relation to the connected equipment and independently sets the correct capacity diagram.



DTS

The **Dieci Telematic System** allows the Dieci service team to interact with the vehicle remotely. It telematically collects and sends operational data for easier and more timely **monitoring, diagnostics and maintenance**. **Vehicle and operators protected from theft and accidents** thanks to GSM and GPS connections.

STRONG AND STABLE

READY FOR EVERYTHING

- **Hydraulic accessories lock:** double cylinder, maximum changeover speed and guaranteed coupling
- **Floating forks and fork carriage** with shifting unit and spreader
- **Buckets** for aggregates, **mixing buckets** for concrete
- **Gripper** for pipes, tires and cylinders

BETTER THAN A FORKLIFT

- **Maximum stability and traction** with a wide choice of tires suitable for all terrains
- **4 steering wheels and 4 driving wheels**
- High capacity **winch**
- **Jibs and hooks** for heavy and bulky loads

BETTER THAN A BOOM LIFT

- **10 meters** in height
- **Extensible front and trilateral baskets**, up to a **payload of 1000 kg** and a **width of 4.4 m**
- **Remote control** with integrated display





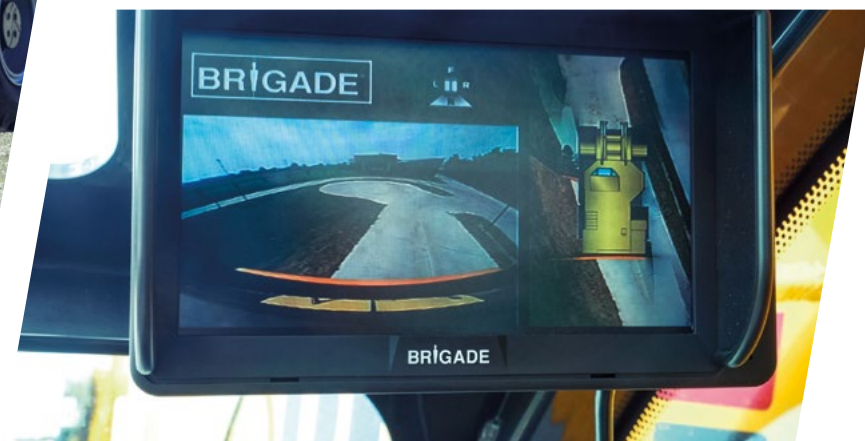
MANEUVERABLE AND EFFECTIVE

- **Enhanced Soft Motion:** proportional and adjustable boom movements.
- **Controls automatically adapted** with the equipment connected.
- **Load indicator on the display:** boom angle and extension, working height, equipment and capacity always at sight.
- Pilot light signaling **correct steering** and **automatic wheels alignment**.
- **Remote control** with display, to operate the vehicle from the ground or on the man basket.



TOTAL VISIBILITY

- Large windows and panoramic rooftop
- Integrated LED work lights
- Perimeter lights, on the boom and on the boom head
- Lateral, rear and in the cab mirrors
- Up to 3 cameras: rear, right side and on the boom





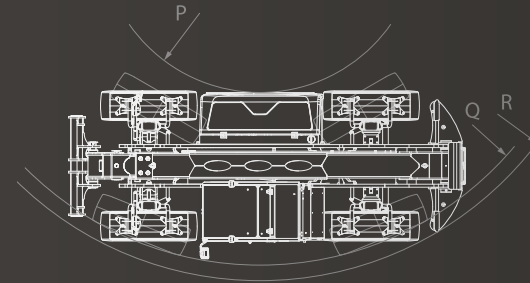
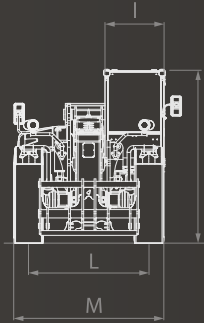
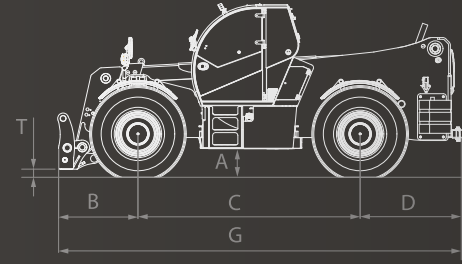
POWERFUL AND ECOLOGICAL

- 174 HP: optimized power output and efficiency
- High torque to ensure maximum performance
- Electronically controlled Stage V engine: limited fuel consumption and emissions
- Maximum speed 35 km/h
- EU Stage V/ EPA Tier 4f
- DOC and SCR catalysts with integrated DPF filter
- AdBlue tank

Also available with Stage 3A engine

TECHNICAL DATA

PERFORMANCE					
Vehicle model	HERCULES 100.10	HERCULES 130.10	HERCULES 190.10	HERCULES 210.10	HERCULES 230.10
Maximum capacity	10000 kg (22046 lb)	13000 kg (28660 lb)	19000 kg (41888 lb)	21000 kg (46297 lb)	23000 kg (50706 lb)
Maximum lifting height	9,5 m (31,2 ft)	9,5 m (31,2 ft)	10,2 m (33,5 ft)	10,2 m (33,5 ft)	10,15 m (33,3 ft)
Maximum horizontal extension	5,1 m (16,7 ft)	5,1 m (16,7 ft)	5,15 m (16,9 ft)	5,15 m (16,9 ft)	5,11 m (16,8 ft)
Fork swiveling angle	144 °	144 °	120 °	120 °	113 °
Pull-out force	9700 daN (21806 lbf)	9700 daN (21806 lbf)	16200 daN (36419 lbf)	18900 daN (42489 lbf)	18900 daN (42489 lbf)
Towing force	11000 daN (24729 lbf)	11000 daN (24729 lbf)	19500 daN (43838 lbf)	19500 daN (43838 lbf)	19500 daN (43838 lbf)
Maximum climb angle	36 %	36 %	36,5 %	36,5 %	35 %
Unladen weight	16000 kg (35274 lb)	18000 kg (39683 lb)	24500 kg (54013 lb)	27500 kg (60627 lb)	29000 kg (63934 lb)
Max speed (referred to wheels with maximum permitted diameter)	34 km/h (21,1 mph)	34 km/h (21,1 mph)	23 km/h (14,3 mph)	23 km/h (14,3 mph)	22 km/h (13,7 mph)



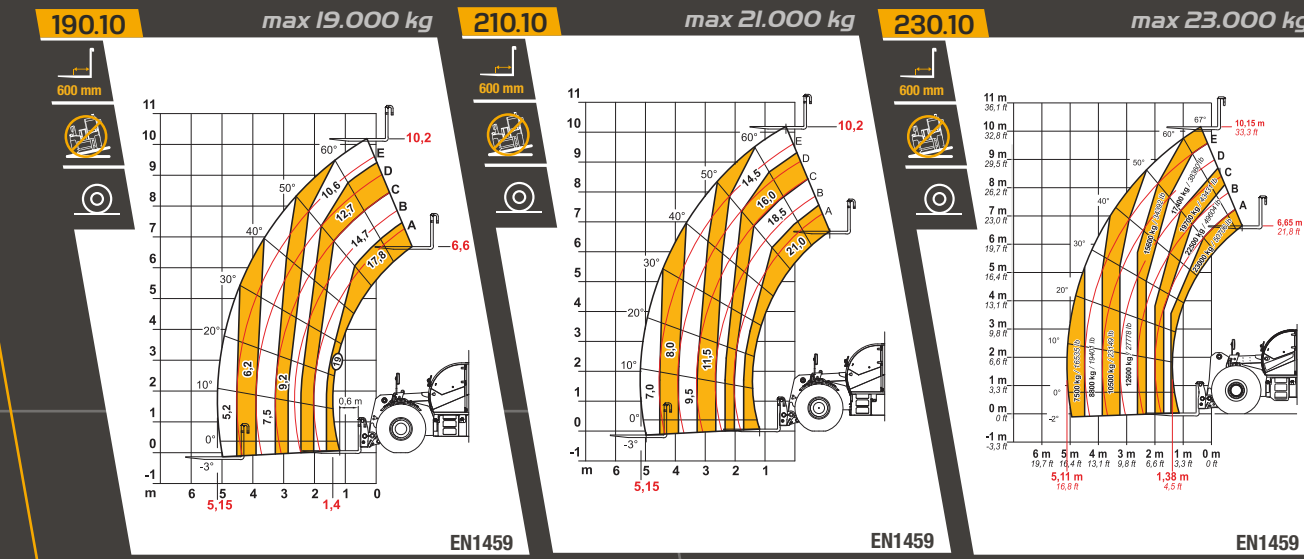
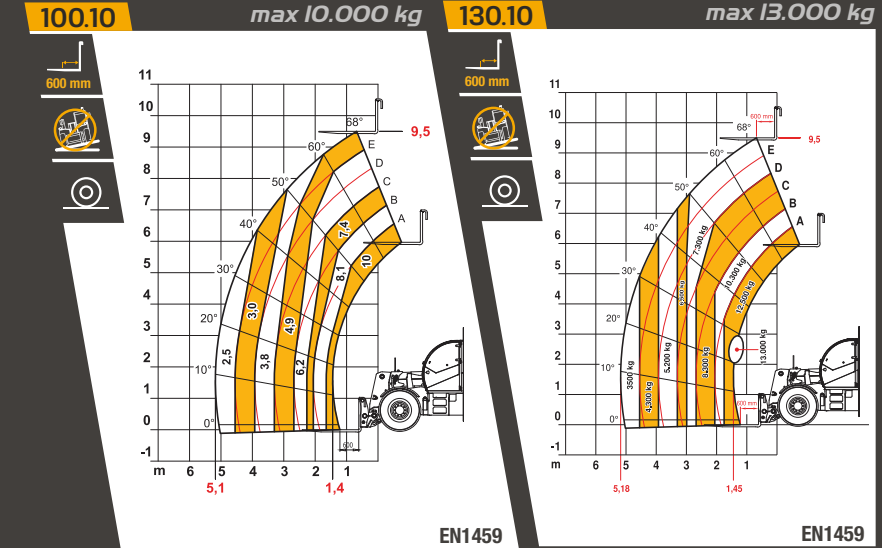
HYDRAULIC SYSTEM

Vehicle model	HERCULES 100.10	HERCULES 130.10	HERCULES 190.10	HERCULES 210.10	HERCULES 230.10
Hydraulic pump capacity	160 l/min (42,3 gal/min)	160 l/min (42,3 gal/min)	225 l/min (59,4 gal/min)	225 l/min (59,4 gal/min)	225 l/min (59,4 gal/min)
Max. operating pressure	31 MPa (4496 psi)	31 MPa (4496 psi)	35 MPa (5076 psi)	35 MPa (5076 psi)	35 MPa (5076 psi)

DIMENSIONS

Vehicle model	HERCULES 100.10	HERCULES 130.10	HERCULES 190.10	HERCULES 210.10	HERCULES 230.10
A	490 mm (19,3 in)	490 mm (19,3 in)	530 mm (20,9 in)	530 mm (20,9 in)	470 mm (18,5 in)
B	1270 mm (50,0 in)	1270 mm (50,0 in)	1320 mm (52,0 in)	1320 mm (52,0 in)	1320 mm (52,0 in)
C	3300 mm (129,9 in)	3300 mm (129,9 in)	3850 mm (151,6 in)	3850 mm (151,6 in)	3850 mm (151,6 in)
D	1480 mm (58,3 in)	1480 mm (58,3 in)	1630 mm (64,2 in)	1630 mm (64,2 in)	1630 mm (64,2 in)
G	6050 mm (238,2 in)	6050 mm (238,2 in)	6800 mm (267,7 in)	6800 mm (267,7 in)	6800 mm (267,7 in)
H	2890 mm (113,8 in)	2890 mm (113,8 in)	2930 mm (115,4 in)	2930 mm (115,4 in)	2980 mm (117,3 in)
I	980 mm (38,6 in)	980 mm (38,6 in)	980 mm (38,6 in)	980 mm (38,6 in)	980 mm (38,6 in)
L	1975 mm (77,8 in)	1975 mm (77,8 in)	2015 mm (79,3 in)	2045 mm (80,5 in)	2180 mm (85,8 in)
M	2420 mm (95,3 in)	2420 mm (95,3 in)	2550 mm (100,4 in)	2550 mm (100,4 in)	2700 mm (106,3 in)
P	1070 mm (42,1 in)	1070 mm (42,1 in)	3530 mm (139,0 in)	3530 mm (139,0 in)	3530 mm (139,0 in)
Q	3950 mm (155,5 in)	3950 mm (155,5 in)	6500 mm (255,9 in)	6500 mm (255,9 in)	6530 mm (257,1 in)
R	4180 mm (164,6 in)	4180 mm (164,6 in)	6500 mm (255,9 in)	6750 mm (265,7 in)	6750 mm (265,7 in)
T	134 mm (5,3 in)	134 mm (5,3 in)	181 mm (7,1 in)	181 mm (7,1 in)	181 mm (7,1 in)

ENGINE					
Also available with Stage 3A engine					
Vehicle model	HERCULES 100.10	HERCULES 130.10	HERCULES 190.10	HERCULES 210.10	HERCULES 230.10
Brand	FPT	FPT	FPT	FPT	FPT
Nominal power	125 kW (168 HP)	125 kW (168 HP)	125 kW (168 HP)	125 kW (168 HP)	125 kW (168 HP)
@rpm	2200 rpm	2200 rpm	2200 rpm	2200 rpm	2200 rpm
Peak power	128 kW (172 HP)	128 kW (172 HP)	128 kW (172 HP)	128 kW (172 HP)	128 kW (172 HP)
@rpm	1900 rpm	1900 rpm	1900 rpm	1900 rpm	1900 rpm
Displacement	4485 cm ³ (274 in ³)	4485 cm ³ (274 in ³)	4485 cm ³ (274 in ³)	4485 cm ³ (274 in ³)	4485 cm ³ (274 in ³)
Emission standard	Stage V	Stage V	Stage V	Stage V	Stage V
Exhaust gas treatment	DOC+SCRoF (AdBlue)	DOC+SCRoF (AdBlue)	DOC+SCRoF (AdBlue)	DOC+SCRoF (AdBlue)	DOC+SCRoF (AdBlue)



SCAN THE QR CODE FOR COMPLETE AND UPDATED DATA



CLICK FOR COMPLETE AND UPDATED DATA

DIECI SERVICE

General headquarters in Emilia Romagna - over 135,000 square meters and about 400 people employed - and 3 branches in Germany, United Kingdom, France: Dieci is present in over 70 Countries with **an extensive network of over 400 dealers** and authorized service centers.

Dieci Service, our global technical assistance service, is developed on this basis: our customers are assisted directly by specialized technicians and every request is satisfied in a very short time. Dieci Service, **within a few hours, can provide interventions and spare parts all over the world.**

Visit www.dieci.com to find the dealer closest to you.

400 DEALERS

70 COUNTRIES

3 BRANCHES

HERCULES

100.10 | 130.10 | 190.10 | 210.10 | 230.10

INVICTO

DIECI

www.dieci.com



Ph: masterservicelorenz.it