



PEGASUS

ESSENTIAL | CLASSIC | ELITE

DIECI



NEW PEGASUS RANGE

Dieci rotary telehandlers are evolving technologically to make work on the construction site easier.

Here is the **New Pegasus Range**, consisting of **9 models and 3 different lines**: Essential, Classic, and Elite.

Always attentive to new customer needs, the Dieci Research & Development Department has developed the **Easy Tech System**, a wide range of features that makes life easier for operators.

Not only do they offer extraordinary loading and outreach capacities, and operational coverage above 2000 square meters produced by the continuous rotation of the turret, the new Pegasus models now guarantee **greater productivity, performance, safety, comfort and versatility**.

*on Classic and Elite models

ALL IN ONE MACHINE

The wide range of available equipment allows the Pegasus to perform **all the essential tasks on a construction site.**

- Better than a **telehandler**: continuous turret rotation* provides operational coverage over 2000 m².
- Better than an **aerial platform**: great stability and precision, even at extreme heights.
- Better than a **crane**: traveling and lifting in total safety, both on wheels and on outriggers, on level ground and off-road.

*on Classic and Elite models



9 MODELS, 3 DIFFERENT LINES

ESSENTIAL

PEGASUS
40.16
40.18



CLASSIC

PEGASUS
60.16
60.21
50.25
75.25
60.26
60.30

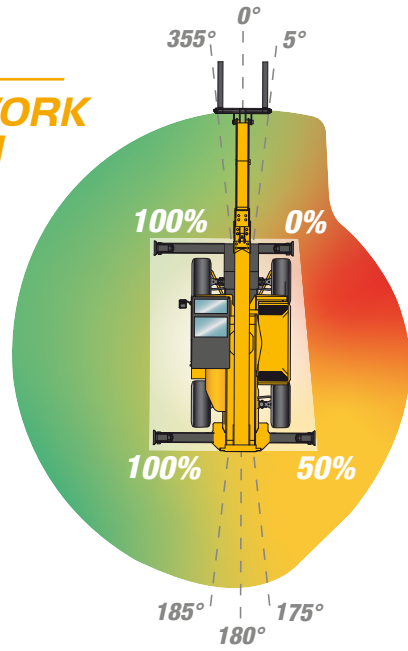


ELITE

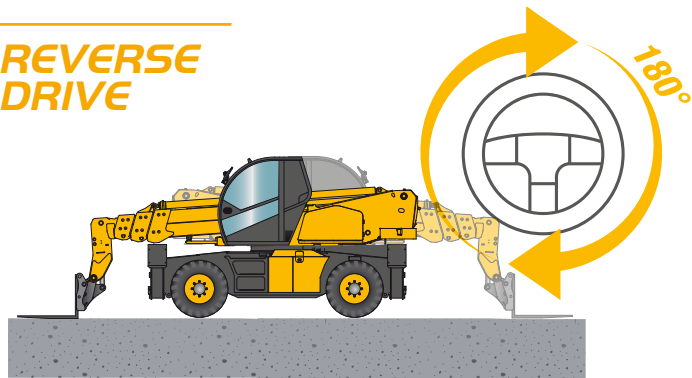
PEGASUS
60.35



EASY WORK SYSTEM



REVERSE DRIVE



INTUITIVE EFFICIENCY

REVERSE DRIVE

- Reverse steering option

WHEELS AUTOMATIC ALIGNMENT

- Including pilot light signalling correct steering

AUTOMATIC OUTRIGGERS RECOVERY

- It can be activated with the push of a button in the cab

EASY WORK SYSTEM

- The load capacity adjusts automatically according to the position of the outriggers
- In the event of an overload, the system stops all aggravating movements

ARM TOO HIGH FUNCTION

- Automatically limited travel speed when the boom is raised

SOFT MOTION

- Slowed-down movements according to load and configuration



AUTOMATIC SAFETY

SELF-LEVELING IN STABILIZATION

- The machine levels itself automatically at the press of a button, on any terrain

ANTI-CRASH SYSTEM

- "Limits" function, to limit the working area of the boom and vehicle

ANTI-TILT SYSTEM

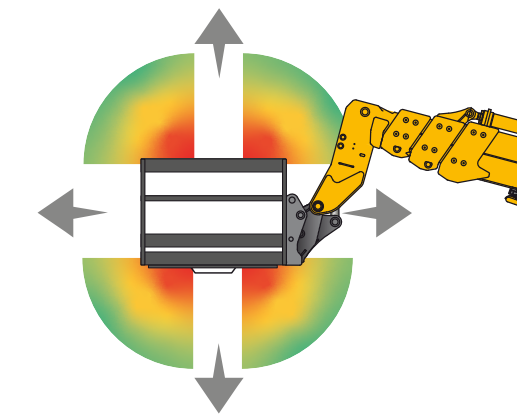
- Anti-tilt system with aggravating movement lock

AUTOMATIC EQUIPMENT RECOGNITION

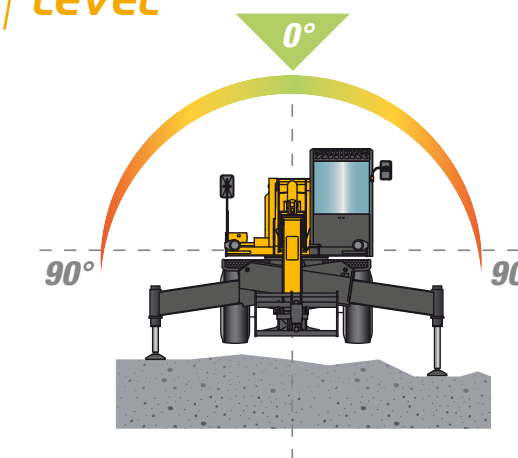
- No manual operation
- Preset load diagram
- More easy and maximum safety



ANTI-CRASH SYSTEM



AUTO LEVEL



TOTAL VERSATILITY

1 3 SELECTABLE STEERING MODES

- Frontal - Concentric - Crab

2 3 DRIVE MODES

- Normal - Eco - Creeper

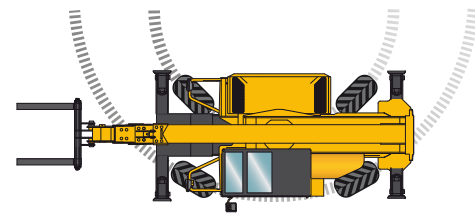
3 PRE-ARRANGEMENT FOR MAN BASKET

- Standard on all models

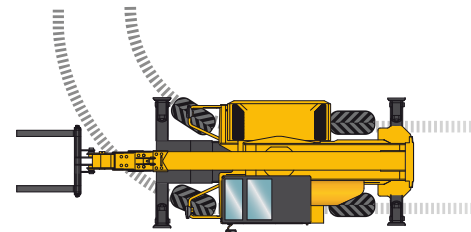
4 REMOTE CONTROL

- With display allows remote control of all vehicle functions

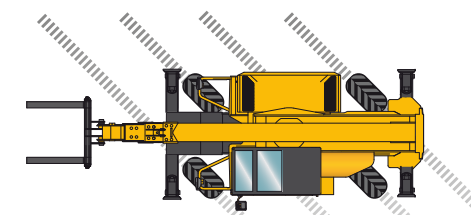
1 3 STEERING MODES



CONCENTRIC



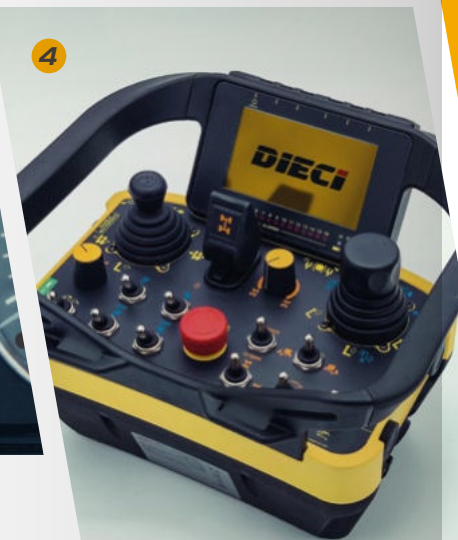
FRONT



CRAB



2



4



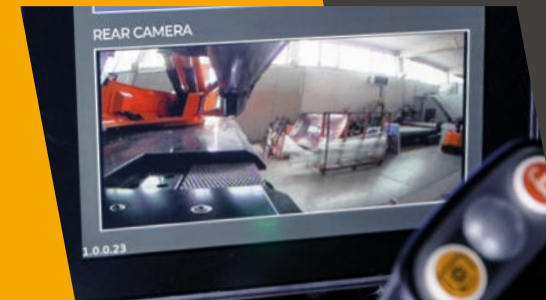
3



5



6



1.0.0.23

TECHNOLOGICAL COMFORT

1 LOAD SENSING - FLOW SHARING DISTRIBUTORS

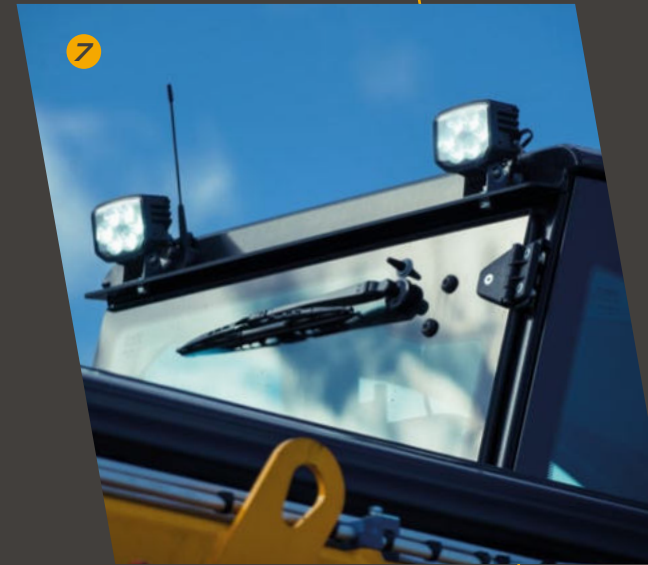
- 5 simultaneous movements with independently settable maximum speeds

2 CAMERA ON BOOM HEAD

3 REAR CAMERA

4 LED WORKING LIGHTS

5 AUTOMATIC AIR CONDITIONING



7



8

PEGASUS ESSENTIAL

The Essential line includes the **Pegasus telehandlers with 400° non-continuous rotation**: dedicated to the rental market and to anyone in need of an essential, reliable and intuitive-to-use telehandler. Equipped with **flap down outriggers** that simplify operation and reduce stabilization time, Pegasus Essential features advanced technological solutions that are ideal for making **daily work easier, safer and more productive.**

- **AGILE AND COMPACT**
- **PRECISE IN ALL MOVEMENTS**

FLAP DOWN OUTRIGGERS



- **3.5" DISPLAY INTEGRATED IN THE CLUSTER**
- **NEW COUNTERWEIGHT WITH INTEGRATED LED LIGHTS**

ESSENTIAL	40.16	40.18
Maximum load capacity	4000 kg (8818 lb)	4000 kg (8818 lb)
Maximum lifting height	15,7 m (51,5 ft)	18 m (59,1 ft)
Rotation	400° non continuous	400° non continuous



SCAN THE QR CODE FOR COMPLETE AND UPDATED DATA



CLICK FOR COMPLETE AND UPDATED DATA

PEGASUS CLASSIC

The Classic line includes the Pegasus telehandlers with **360° continuous rotation**: new synergies between load capacity, lifting and technological solutions ideal for users who need a **multi-purpose, high-performance vehicle in all working conditions**.
Safer work thanks to **crossbeam outriggers** that can be activated starting from any position.



CROSSBEAM OUTRIGGERS

- **DOUBLE JOYSTICK**
- **REMOTE CONTROL AS STANDARD FOR MODELS 75.25, 60.26 € 60.30**

- **LOAD SENSING PUMP**



- **DUAL DISPLAY:**
3,5" DISPLAY INTEGRATED IN THE CLUSTER
7" DISPLAY WITH INTEGRATED REAR VIEW CAMERA
- **NEW COUNTERWEIGHT WITH INTEGRATED LED LIGHTS**
- **BACKLIT CAN KEYPADS**

CLASSIC	60.16	60.21	50.25	60.26	75.25	60.30
Maximum load capacity	6000 kg (13228 lb)	6000 kg (13228 lb)	5000 kg (11023 lb)	6000 kg (13228 lb)	7500 kg (16535 lb)	6000 kg (13228 lb)
Maximum lifting height	16,2 m (53,1 ft)	20,5 m (67,3 ft)	24,1 m (79,1 ft)	25,7 m (84,3 ft)	24,5 m (80,4 ft)	29,6 m (97,1 ft)
Rotation	continuous 360°	continuous 360°	continuous 360°	continuous 360°	continuous 360°	continuous 360°



SCAN THE QR CODE FOR COMPLETE AND UPDATED DATA



CLICK FOR COMPLETE AND UPDATED DATA





PEGASUS ELITE

The Elite line integrates the potential of the Classic range with the advanced technological features of the Easy Tech System, designed to exponentially increase ease of use, efficiency, comfort and safety and offer construction professionals improved performance in all handling operations.



SCISSOR OUTRIGGERS



ELITE	60.35
Maximum load capacity	6000 kg (13228 lb)
Maximum lifting height	34,3 m (112,5 ft)
Rotation	Continuous 360°



SCAN THE QR CODE
FOR COMPLETE
AND UPDATED DATA



CLICK FOR COMPLETE
AND UPDATED DATA

NEW SOFTWARE, CUSTOMIZED ELECTRONICS

The new management software, now fully developed by Dieci specialists and customised for the new Pegasus, **exponentially raises the level of electronics quality** to automotive standards. In addition to simpler and more intuitive controls, the vehicle and boom movement is managed intelligently, **simplifying work and increasing productivity.**



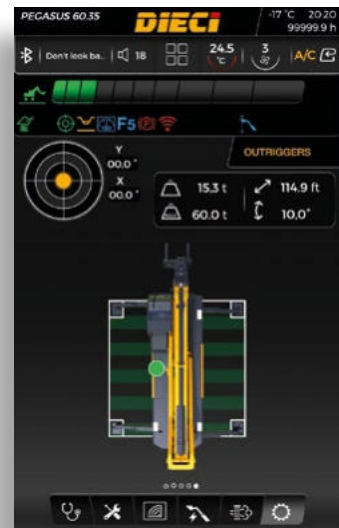
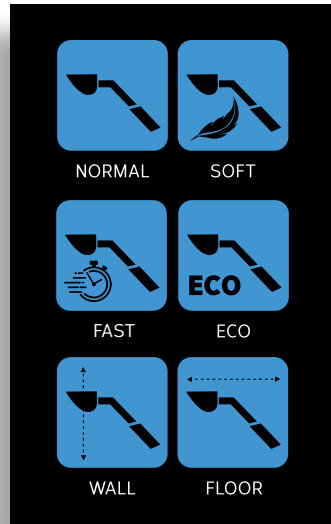
DIGITAL CONTROLS, MORE INTUITIVE VEHICLE

For the purpose of offering a simple and intuitive vehicle, the controls in the cab have been reorganized, placing the essential and most frequently used ones on the analogue dashboards and **implementing advanced functions on a digital display.** In addition to the standard organization by type, **the functions can be customized by the user.**



HIGH TECH BOOM – PRO

Boom movement automatically managed by the control unit according to the 6 work modes that can be selected: Soft, Fast, Normal, Eco, Wall and Floor.



ANTI-TILT SYSTEM – PRO

Increased safety also due to the **new advanced anti tilt system** with aggravating movements stopping, based on dynamic calculation of working loads according to the equipment installed.



HIGH RESOLUTION CONTROL

Increased accuracy and control of the joystick by setting maximum threshold parameters.

LOAD SENSING PUMP WITH ELECTRONIC CONTROL

With the Easy Tech System software, the load sensing pump sets operating values in a dynamic and more comprehensive way, automatically adapting to the working conditions and the equipment being used.




- **DUAL DISPLAY:**
4,3" DISPLAY INTEGRATED IN THE CLUSTER
12" MULTITOUCH DISPLAY
- **TUBULAR WITH INTEGRATED LED LIGHTS**
- **BACKLIT CAN KEYPADS**
- **NEW WALKING SURFACE**



ADVANCED CONTROLS

- Equipment quick coupling™ control on Joystick
- Additional joystick for outriggers movement

360° COMFORT

- Customizable user interface
- Ladder access from 4 sides
- Bluetooth connectivity 

- **REMOTE CONTROL FOR DRIVING THE MACHINE FROM THE GROUND OR FROM THE MAN BASKET**



TECHNICAL DATA

VEHICLE MODEL	40.16	40.18	60.16	60.21	50.25	75.25	60.26	60.30	60.35
Maximum capacity	4000 kg (8818 lb)	4000 kg (8818 lb)	6000 kg (13228 lb)	6000 kg (13228 lb)	5000 kg (11023 lb)	7500 kg (16535 lb)	6000 kg (13228 lb)	6000 kg (13228 lb)	6000 kg (13228 lb)
Maximum lifting height	15,7 m (51,5 ft)	18 m (59,1 ft)	16,2 m (53,1 ft)	20,5 m (67,3 ft)	24,1 m (79,1 ft)	24,5 m (80,4 ft)	25,7 m (84,3 ft)	29,6 m (97,1 ft)	34,3 m (112,5 ft)
Type of rotation	Non continuous 400°	Non continuous 400°	Continuous 360°	Continuous 360°	Continuous 360°	Continuous 360°	Continuous 360°	Continuous 360°	Continuous 360°
Max speed	30 km/h (18,6 mph)	30 km/h (18,6 mph)	40 km/h (24,9 mph)	40 km/h (24,9 mph)	40 km/h (24,9 mph)	40 km/h (24,9 mph)	40 km/h (24,9 mph)	40 km/h (24,9 mph)	40 km/h (24,9 mph)
Unladen mass	13660 kg (30115 lb)	14700 kg (32408 lb)	17320 kg (38184 lb)	17700 kg (39022 lb)	17740 kg (39110 lb)	21550 kg (47510 lb)	21000 kg (46297 lb)	22150 kg (48832 lb)	24000 kg (52911 lb)
Engine	Perkins	Perkins	Perkins	Perkins	Perkins	FPT	FPT	FPT	FPT
Peak power	85,9 kW (115 HP)	85,9 kW (115 HP)	100 kW (134 HP)	100 kW (134 HP)	100 kW (134 HP)	127 kW (170 HP)	127 kW (170 HP)	127 kW (170 HP)	147 kW (197 HP)
Emission standards	Stage V/Tier 4f	Stage V/Tier 4f	Stage V	Stage V	Stage V	Stage V/Tier 4f	Stage V/Tier 4f	Stage V/Tier 4f	Stage V
Hydraulic pump capacity	120 l/min (31,7 gal/min)	120 l/min (31,7 gal/min)	190 l/min (50,2 gal/min)	190 l/min (50,2 gal/min)	190 l/min (50,2 gal/min)	290 l/min (76,6 gal/min)	290 l/min (76,6 gal/min)	290 l/min (76,6 gal/min)	254 l/min (67,1 gal/min)
Max. operating pressure	24 MPa (3481 psi)	24 MPa (3481 psi)	30 MPa (4351 psi)	30 MPa (4351 psi)	30 MPa (4351 psi)	30 MPa (4351 psi)	30 MPa (4351 psi)	30 MPa (4351 psi)	31,5 MPa (4569 psi)
Length	6740 mm (265,4 in)	6630 mm (261,0 in)	6970 mm (274,4 in)	7150 mm (281,5 in)	8000 mm (315,0 in)	8100 mm (318,9 in)	8409 mm (331,1 in)	8400 mm (330,7 in)	8850 mm (348 in)
Width	2380 mm (93,7 in)	2380 mm (93,7 in)	2380 mm (93,7 in)	2380 mm (93,7 in)	2380 mm (93,7 in)	2500 mm (98,4 in)	2500 mm (98,4 in)	2500 mm (98,4 in)	2500 mm (98 in)
Height	3030 mm (119,3 in)	3030 mm (119,3 in)	3030 mm (119,3 in)	3030 mm (119,3 in)	3030 mm (119,3 in)	3095 mm (121,9 in)	3095 mm (121,9 in)	3095 mm (121,9 in)	3300 mm (130 in)

MAIN FEATURES

FEATURES	40.16	40.18	60.16	60.21	50.25	75.25	60.26	60.30	60.35
Load Sensing - Flow Sharing Control Valves	●	●	●	●	●	●	●	●	●
3 Steering modes	●	●	●	●	●	●	●	●	●
Anti Crash System	●	●	●	●	●	●	●	●	●
Easy Work System	●	●	●	●	●	●	●	●	●
Soft Motion	●	●	●	●	●	●	●	●	●
Auto leveling in outrigging	●	●	●	●	●	●	●	●	●
Wheels automatic alignment including pilot light signalling correct steering	○	○	○	○	○	○	○	○	●
Transverse leveling device	-	-	●	●	●	●	●	●	●
Reverse Drive	-	-	●	●	●	●	●	●	●
Automatic outriggers recovery	-	-	●	●	●	●	●	●	●
Arm Too High Function	-	-	●	●	●	●	●	●	●
3 Drive modes	-	-	-	-	-	●	●	●	●
Proportionally controlled outriggers	-	-	-	-	-	-	-	-	●
Easy Tech System	-	-	-	-	-	-	-	-	●
High Resolution Control	-	-	-	-	-	-	-	-	●
High Tech Boom - PRO	-	-	-	-	-	-	-	-	●
Load sensing pump with electronic control	-	-	-	-	-	-	-	-	●
Load Sensing Pump	-	-	●	●	●	●	●	●	-
Anti-Tilt System - PRO	-	-	-	-	-	-	-	-	●
Anti-Tilt System	●	●	●	●	●	●	●	●	-

CONTROLS	40.16	40.18	60.16	60.21	50.25	75.25	60.26	60.30	60.35
Pre-arrangement for man basket	●	●	●	●	●	●	●	●	●
Automatic equipment recognition	●	●	●	●	●	●	●	●	●
Remote control	○	○	○	○	○	●	●	●	●
Double joystick	○	○	○	○	○	●	●	●	●
Equipment "quick coupling" control on Joystick	-	-	-	-	-	-	-	-	●
Additional joystick for outriggers movement	-	-	-	-	-	-	-	-	●
Remote control for driving the machine from the ground or from the man basket	-	-	-	-	-	-	-	-	●

COMFORT AND VISIBILITY	40.16	40.18	60.16	60.21	50.25	75.25	60.26	60.30	60.35
Air conditioning	○	○	○	○	○	○	○	○	●
Backlit CAN keypads	-	-	●	●	●	●	●	●	●
Bluetooth connectivity	-	-	-	-	-	-	-	-	●

TELEMATICS	40.16	40.18	60.16	60.21	50.25	75.25	60.26	60.30	60.35
DTS	●	●	●	●	●	●	●	●	●

- Not available
- As standard
- Optional



The vehicles shown in this catalog can be equipped with standard attachments or equipment, on request or not available, according to the versions. Dieci Srl reserves the right to modify the specifications described and illustrated at any time and without prior notice. Non-contractual document. Non-exhaustive specification list. The photos and diagrams contained in this brochure are provided for consultation and for information purposes.



DTS

The **Dieci Telematic System** allows the Dieci service team to interact with the vehicle remotely. It telematically collects and sends operational data for easier and more timely **monitoring, diagnostics and maintenance**. **Vehicle and operators protected from theft and accidents thanks to GSM and GPS connections.**

DIECI SERVICE

General headquarters in Emilia Romagna - over 135,000 square meters and about 400 people employed - and 3 branches in Germany, United Kingdom, France: Dieci is present in over 70 Countries with an **extensive network of over 600 dealers** and authorized service centers.

Dieci Service, our global technical assistance service, is developed on this basis: our customers are assisted directly by specialized technicians and every request is satisfied in a very short time. Dieci Service, **within a few hours, can provide interventions and spare parts all over the world.**

Visit www.dieci.com to find the dealer closest to you.

600 DEALERS

70 COUNTRIES

3 BRANCHES



PEGASUS

ESSENTIAL 40.16 | 48.18

CLASSIC 60.16 | 60.21 | 50.25 | 75.25 | 60.26 | 60.30

ELITE 60.35

INVICTO

DIECI

www.dieci.com



Ph: masterservicelorenz.it