

**DIECI**



**APOLLO SMART**

**20.4**



***dieci.com***

## PERFORMANCE

Vehicle model	APOLLO 20.4 SMART
Maximum capacity	2000 kg (4409 lb)
Maximum lifting height	4.35 m (14.3 ft)
Maximum horizontal extension	2.57 m (8.4 ft)
Fork swiveling angle	133°
Pull-out force	3365 daN (7565 lbf)
Towing force	3177 daN (7142 lbf)
Unladen weight	4300 kg (9480 lb)
Maximum climb angle	56 %
Max speed (referred to wheels with maximum permitted diameter)	25 km/h (15.5 mph)

## BOOM

Vehicle model	APOLLO 20.4 SMART
Getting off the basket	5 s
Lifting	7 s
Extension	6 s
Retraction	4 s
Forward swiveling	4 s
Reverse swiveling	3 s

## ENGINE

Vehicle model	APOLLO 20.4 SMART
Brand	Kubota
Nominal power	37 kW (50 HP)
@rpm	2700 rpm
Operation	4-stroke
Injection	Electronic, Common Rail
Number and arrangement of cylinders	3, Vertical in line
Displacement	1826 cm <sup>3</sup> (111 in <sup>3</sup> )
Consumption	242 g/kWh (398.09 lb/Hp h)
@rpm	2700 rpm
Emission standards	Stage V
Exhaust gas treatment	Catalyst + Particulate filter (DOC+DPF)
Cooling system	Liquid
Intake	Turbo compressor
Air filter	Air pre-heating and air pre-filtering with dust separator

## TRANSMISSION

Vehicle model	APOLLO 20.4 SMART
Transmission type	Single speed Hydrostatic transmission with variable displacement pump
Hydraulic motor	Hydrostatic with continuous automatic adjustment
Reversal	Electro-Hydraulic
Inching	With hydraulic pedal for controlled forward movement

## DIFFERENTIAL AXLES

Vehicle model	APOLLO 20.4 SMART
Type of axles	2 steering, with 4 epicycloidal reduction gears
Type of steering	4 wheels / transversal / 2 wheels
Front axle	Rigid
Rear axle	Swinging
Service braking	Dry disk on rear axle
Parking braking	Manually activated on brake caliper through cable

## HYDRAULIC SYSTEM

Vehicle model	APOLLO 20.4 SMART
Hydraulic pump type	Gear pump for power steering and movements
Hydraulic pump capacity	101 l/min (26.7 gal/min)
Max. operating pressure	25 MPa (3626 psi)
Distributor control	Proportional 4in1 Joystick
Distributor type	Single-lever hydraulic proportional

## FILLING

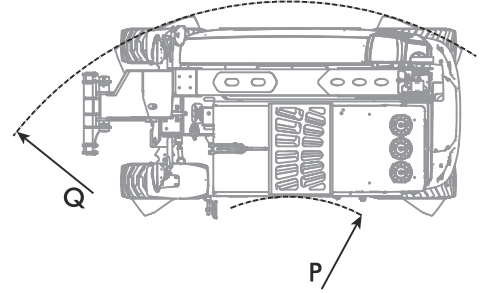
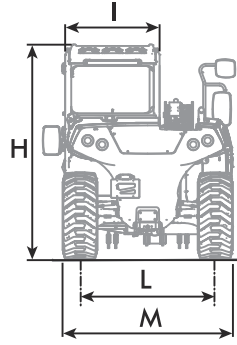
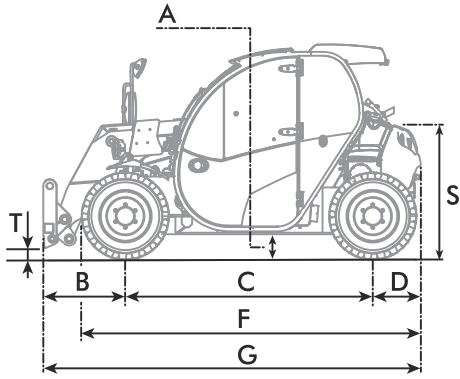
Vehicle model	APOLLO 20.4 SMART
Hydraulic system (total)	70 l (18.49 gal)
Diesel tank	60 l (15.85 gal)

## TYRES

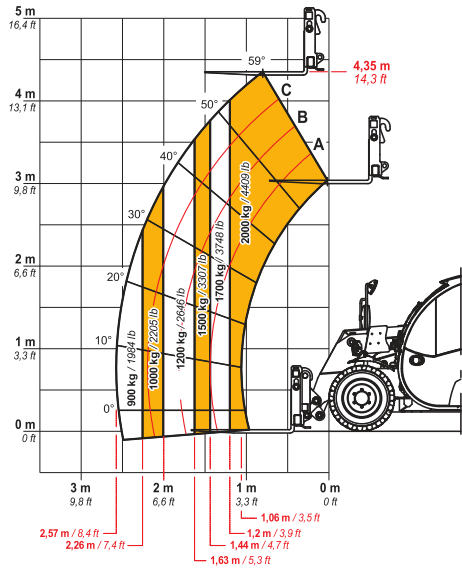
Vehicle model	APOLLO 20.4 SMART
Standard tires	12x16.5"

## DIMENSIONS

Vehicle model	APOLLO 20.4 SMART
A	199 mm (7.8 in)
B	827 mm (32.6 in)
C	2250 mm (88.6 in)
D	458 mm (18.0 in)
F	3405 mm (134.1 in)
G	3534 mm (139.1 in)
H	1929 mm (75.9 in)
I	860 mm (33.9 in)
L	1230 mm (48.4 in)
M	1550 mm (61.0 in)
P	1340 mm (52.8 in)
Q	3075 mm (121.1 in)
S	1469 mm (57.8 in)
T	200 mm (7.9 in)



MAX  
2000 kg / 4409 lb



DOCCT0000115



20.4

EN1459