

DIECI



DEDALUS

30.7 | 34.7 | 30.9 | 32.9



dieci.com

PERFORMANCE

| | | | | |
|--|----------------------|----------------------|----------------------|----------------------|
| Vehicle model | DEDALUS 30.7 - GD | DEDALUS 34.7 - GD | DEDALUS 30.9 - GD | DEDALUS 32.9 - GD |
| Maximum capacity | 3000 kg (6614 lb) | 3400 kg (7496 lb) | 3000 kg (6614 lb) | 3200 kg (7055 lb) |
| Maximum lifting height | 6.35 m (20.8 ft) | 6.35 m (20.8 ft) | 8.65 m (28.4 ft) | 8.65 m (28.4 ft) |
| Maximum horizontal extension | 3.6 m (11.8 ft) | 3.6 m (11.8 ft) | 5.6 m (18.4 ft) | 5.6 m (18.4 ft) |
| Fork swiveling angle | 146° | 146° | 146° | 146° |
| Pull-out force | 5800 daN (13039 lbf) | 5800 daN (13039 lbf) | 5800 daN (13039 lbf) | 5800 daN (13039 lbf) |
| Towing force | 5800 daN (13039 lbf) | 5800 daN (13039 lbf) | 5800 daN (13039 lbf) | 5800 daN (13039 lbf) |
| Unladen weight | 6700 kg (14771 lb) | 6950 kg (15322 lb) | 6880 kg (15168 lb) | 7050 kg (15543 lb) |
| Maximum climb angle | 40 % | 40 % | 40 % | 40 % |
| Max speed (referred to wheels with maximum permitted diameter) | 36 km/h (22.4 mph) | 36 km/h (22.4 mph) | 36 km/h (22.4 mph) | 36 km/h (22.4 mph) |

BOOM

| | | | | |
|------------------------|-------------------|-------------------|-------------------|-------------------|
| Vehicle model | DEDALUS 30.7 - GD | DEDALUS 34.7 - GD | DEDALUS 30.9 - GD | DEDALUS 32.9 - GD |
| Getting off the basket | 4.2 s | 4.2 s | 4.6 s | 4.6 s |
| Lifting | 8.2 s | 8.2 s | 8.9 s | 8.9 s |
| Extension | 6.2 s | 6.2 s | 5.7 s | 5.7 s |
| Retraction | 3.5 s | 3.5 s | 3.2 s | 3.2 s |
| Forward swiveling | 3.5 s | 3.5 s | 3.5 s | 3.5 s |
| Reverse swiveling | 2 s | 2 s | 1.9 s | 1.9 s |

ENGINE

| | | | | |
|-------------------------------------|---|---|---|---|
| Vehicle model | DEDALUS 30.7 - GD | DEDALUS 34.7 - GD | DEDALUS 30.9 - GD | DEDALUS 32.9 - GD |
| Brand | Kubota | Kubota | Kubota | Kubota |
| Nominal power | 55.4 kW (74 HP) | 55.4 kW (74 HP) | 55.4 kW (74 HP) | 55.4 kW (74 HP) |
| @rpm | 2600 rpm | 2600 rpm | 2600 rpm | 2600 rpm |
| Peak power | 55.4 kW (74 HP) | 55.4 kW (74 HP) | 55.4 kW (74 HP) | 55.4 kW (74 HP) |
| @rpm | 2600 rpm | 2600 rpm | 2600 rpm | 2600 rpm |
| Operation | 4-stroke | 4-stroke | 4-stroke | 4-stroke |
| Injection | Electronic, Common Rail | Electronic, Common Rail | Electronic, Common Rail | Electronic, Common Rail |
| Number and arrangement of cylinders | 4, Vertical in line | 4, Vertical in line | 4, Vertical in line | 4, Vertical in line |
| Displacement | 3331 cm ³ (203 in ³) | 3331 cm ³ (203 in ³) | 3331 cm ³ (203 in ³) | 3331 cm ³ (203 in ³) |
| Consumption | 228 g/kWh (375.06 lb/Hp h) | 228 g/kWh (375.06 lb/Hp h) | 228 g/kWh (375.06 lb/Hp h) | 228 g/kWh (375.06 lb/Hp h) |
| @rpm | 2600 rpm | 2600 rpm | 2600 rpm | 2600 rpm |
| Emission standards | Stage V/Tier 4f | Stage V/Tier 4f | Stage V/Tier 4f | Stage V/Tier 4f |
| Exhaust gas treatment | DOC+DPF | DOC+DPF | DOC+DPF | DOC+DPF |
| Cooling system | Liquid | Liquid | Liquid | Liquid |
| Intake | Turbocharger after-cooler | Turbocharger after-cooler | Turbocharger after-cooler | Turbocharger after-cooler |
| Air filter | Air pre-heating and air pre-filtering with dust separator | Air pre-heating and air pre-filtering with dust separator | Air pre-heating and air pre-filtering with dust separator | Air pre-heating and air pre-filtering with dust separator |

TRANSMISSION

| | | | | |
|-------------------|---|---|---|---|
| Vehicle model | DEDALUS 30.7 - GD | DEDALUS 34.7 - GD | DEDALUS 30.9 - GD | DEDALUS 32.9 - GD |
| Transmission type | Hydrostatic with variable displacement pump | Hydrostatic with variable displacement pump | Hydrostatic with variable displacement pump | Hydrostatic with variable displacement pump |
| Hydraulic motor | Hydrostatic with continuous automatic adjustment | Hydrostatic with continuous automatic adjustment | Hydrostatic with continuous automatic adjustment | Hydrostatic with continuous automatic adjustment |
| Reversal | With electronic control operated with vehicle in motion | With electronic control operated with vehicle in motion | With electronic control operated with vehicle in motion | With electronic control operated with vehicle in motion |
| Inching | With electronic pedal for controlled forward movement | With electronic pedal for controlled forward movement | With electronic pedal for controlled forward movement | With electronic pedal for controlled forward movement |
| Gearbox | Servo-controlled 2-speed | Servo-controlled 2-speed | Servo-controlled 2-speed | Servo-controlled 2-speed |

DIFFERENTIAL AXLES

| | | | | |
|------------------|---|---|---|---|
| Vehicle model | DEDALUS 30.7 - GD | DEDALUS 34.7 - GD | DEDALUS 30.9 - GD | DEDALUS 32.9 - GD |
| Type of axles | 2 steering, with 4 epicycloidal reduction gears | 2 steering, with 4 epicycloidal reduction gears | 2 steering, with 4 epicycloidal reduction gears | 2 steering, with 4 epicycloidal reduction gears |
| Type of steering | 4 wheels / transversal / 2 wheels | 4 wheels / transversal / 2 wheels | 4 wheels / transversal / 2 wheels | 4 wheels / transversal / 2 wheels |
| Front axle | Rigid | Rigid | Rigid | Rigid |
| Rear axle | Swinging | Swinging | Swinging | Swinging |
| Service braking | Oil bath with servo brake on front and rear axle with double hydraulic system | Oil bath with servo brake on front and rear axle with double hydraulic system | Oil bath with servo brake on front and rear axle with double hydraulic system | Oil bath with servo brake on front and rear axle with double hydraulic system |
| Parking braking | Negative actuation with electrical control | Negative actuation with electrical control | Negative actuation with electrical control | Negative actuation with electrical control |

HYDRAULIC SYSTEM

| | | | | |
|-------------------------|--|--|--|--|
| Vehicle model | DEDALUS 30.7 - GD | DEDALUS 34.7 - GD | DEDALUS 30.9 - GD | DEDALUS 32.9 - GD |
| Hydraulic pump type | Gear pump for power steering and movements | Gear pump for power steering and movements | Gear pump for power steering and movements | Gear pump for power steering and movements |
| Hydraulic pump capacity | 100 l/min (26.4 gal/min) | 100 l/min (26.4 gal/min) | 100 l/min (26.4 gal/min) | 100 l/min (26.4 gal/min) |
| Max. operating pressure | 24.5 MPa (3553 psi) | 25.7 MPa (3727 psi) | 24.5 MPa (3553 psi) | 25.7 MPa (3727 psi) |
| Distributor control | Proportional 4 in 1 Joystick with FNR | Proportional 4 in 1 Joystick with FNR | Proportional 4 in 1 Joystick with FNR | Proportional 4 in 1 Joystick with FNR |
| Distributor type | Proportional 4 in 1 joystick hydraulic distributor with electro-hydraulic servocontrol. Open center services | Proportional 4 in 1 joystick hydraulic distributor with electro-hydraulic servocontrol. Open center services | Proportional 4 in 1 joystick hydraulic distributor with electro-hydraulic servocontrol. Open center services | Proportional 4 in 1 joystick hydraulic distributor with electro-hydraulic servocontrol. Open center services |

FILLING

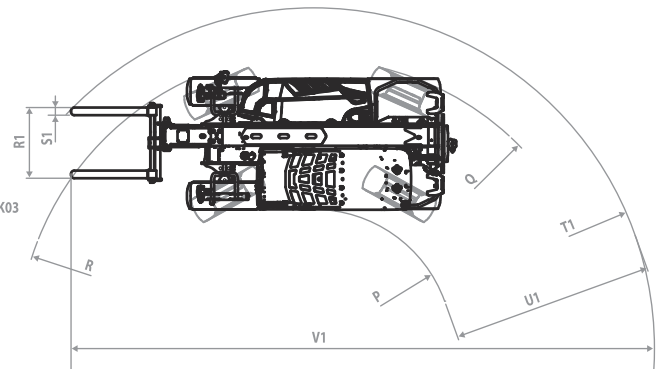
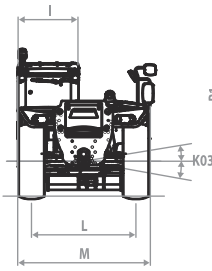
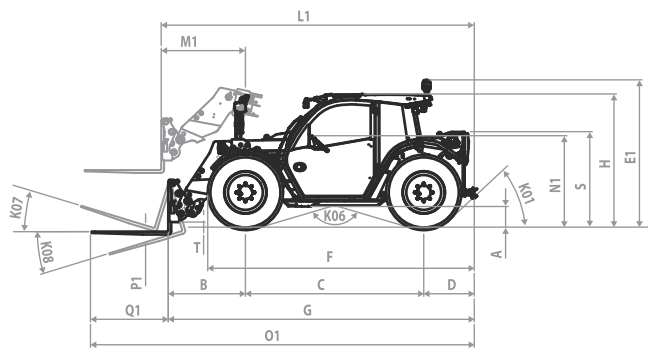
| Vehicle model | DEDALUS 30.7 - GD | DEDALUS 34.7 - GD | DEDALUS 30.9 - GD | DEDALUS 32.9 - GD |
|--------------------------|-------------------|-------------------|-------------------|-------------------|
| Hydraulic system (total) | 140 l (36.98 gal) | 140 l (36.98 gal) | 140 l (36.98 gal) | 140 l (36.98 gal) |
| Diesel tank | 100 L (26.42 gal) | 100 L (26.42 gal) | 100 L (26.42 gal) | 100 L (26.42 gal) |

TYRES

| Vehicle model | DEDALUS 30.7 - GD | DEDALUS 34.7 - GD | DEDALUS 30.9 - GD | DEDALUS 32.9 - GD |
|----------------|-------------------|-------------------|-------------------|-------------------|
| Standard tires | 405/70-20" | 405/70-20" | 405/70-20" | 405/70-20" |

DIMENSIONS

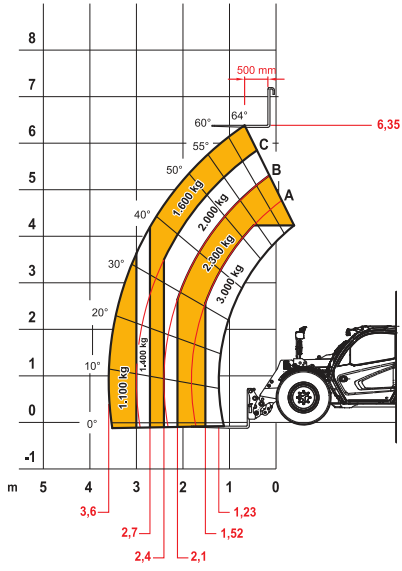
| Vehicle model | DEDALUS 30.7 - GD | DEDALUS 34.7 - GD | DEDALUS 30.9 - GD | DEDALUS 32.9 - GD |
|---------------|--------------------|--------------------|--------------------|--------------------|
| A | 270 mm (10.6 in) | 270 mm (10.6 in) | 270 mm (10.6 in) | 270 mm (10.6 in) |
| B | 1200 mm (47.2 in) | 1200 mm (47.2 in) | 1240 mm (48.8 in) | 1240 mm (48.8 in) |
| C | 2830 mm (111.4 in) | 2830 mm (111.4 in) | 2830 mm (111.4 in) | 2830 mm (111.4 in) |
| D | 785 mm (30.9 in) | 785 mm (30.9 in) | 785 mm (30.9 in) | 785 mm (30.9 in) |
| E1 | 2350 mm (92.5 in) | 2520 mm (99.2 in) | 2350 mm (92.5 in) | 2520 mm (99.2 in) |
| F | 4150 mm (163.4 in) | 4150 mm (163.4 in) | 4150 mm (163.4 in) | 4150 mm (163.4 in) |
| G | 4815 mm (189.6 in) | 4815 mm (189.6 in) | 4855 mm (191.1 in) | 4855 mm (191.1 in) |
| H | 2040 mm (80.3 in) | 2210 mm (87.0 in) | 2040 mm (80.3 in) | 2210 mm (87.0 in) |
| I | 966 mm (38.0 in) | 966 mm (38.0 in) | 966 mm (38.0 in) | 966 mm (38.0 in) |
| L | 1710 mm (67.3 in) | 1710 mm (67.3 in) | 1710 mm (67.3 in) | 1710 mm (67.3 in) |
| L1 | 4940 mm (194.5 in) | 4940 mm (194.5 in) | 4960 mm (195.3 in) | 4960 mm (195.3 in) |
| K01 | 36° | 36° | 36° | 36° |
| K03 | 15° | 16° | 15° | 16° |
| K06 | 154° | 154° | 154° | 154° |
| K07 | 18° | 18° | 18° | 18° |
| K08 | 129° | 129° | 129° | 129° |
| M | 2120 mm (83.5 in) | 2120 mm (83.5 in) | 2120 mm (83.5 in) | 2120 mm (83.5 in) |
| M1 | 1324 mm (52.1 in) | 1324 mm (52.1 in) | 1344 mm (52.9 in) | 1344 mm (52.9 in) |
| N1 | 1382 mm (54.4 in) | 1555 mm (61.2 in) | 1382 mm (54.4 in) | 1555 mm (61.2 in) |
| O1 | 6015 mm (236.8 in) | 6015 mm (236.8 in) | 6055 mm (238.4 in) | 6055 mm (238.4 in) |
| P | 1664 mm (65.5 in) | 1664 mm (65.5 in) | 1664 mm (65.5 in) | 1664 mm (65.5 in) |
| P1 | 45 mm (1.8 in) | 45 mm (1.8 in) | 45 mm (1.8 in) | 45 mm (1.8 in) |
| Q | 4240 mm (166.9 in) | 4240 mm (166.9 in) | 4240 mm (166.9 in) | 4240 mm (166.9 in) |
| Q1 | 1200 mm (47.2 in) | 1200 mm (47.2 in) | 1200 mm (47.2 in) | 1200 mm (47.2 in) |
| R | 4214 mm (165.9 in) | 4214 mm (165.9 in) | 4214 mm (165.9 in) | 4214 mm (165.9 in) |
| R1 | 1100 mm (43.3 in) | 1100 mm (43.3 in) | 1100 mm (43.3 in) | 1100 mm (43.3 in) |
| S | 1445 mm (56.9 in) | 1445 mm (56.9 in) | 1445 mm (56.9 in) | 1445 mm (56.9 in) |
| S1 | 120 mm (4.7 in) | 120 mm (4.7 in) | 120 mm (4.7 in) | 120 mm (4.7 in) |
| T | 30 mm (1.2 in) | 30 mm (1.2 in) | 115 mm (4.5 in) | 115 mm (4.5 in) |
| T1 | 5000 mm (196.9 in) | 5000 mm (196.9 in) | 5025 mm (197.8 in) | 5025 mm (197.8 in) |
| U1 | 3335 mm (131.3 in) | 3335 mm (131.3 in) | 3361 mm (132.3 in) | 3361 mm (132.3 in) |
| V1 | 8817 mm (347.1 in) | 8817 mm (347.1 in) | 8880 mm (349.6 in) | 8880 mm (349.6 in) |



MAX
3000 kg



DOC10001774



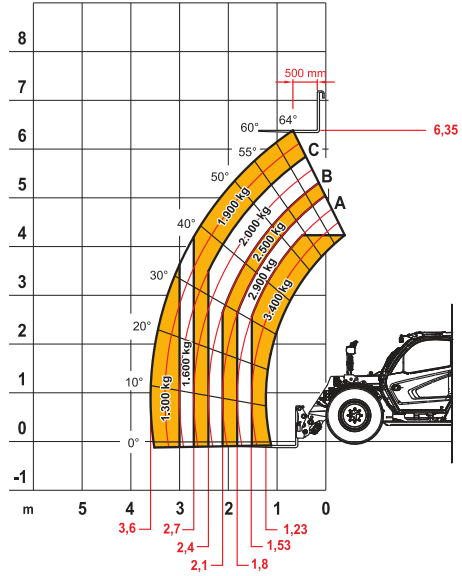
EN1459

30.7

MAX
3400 kg



DOC10001593



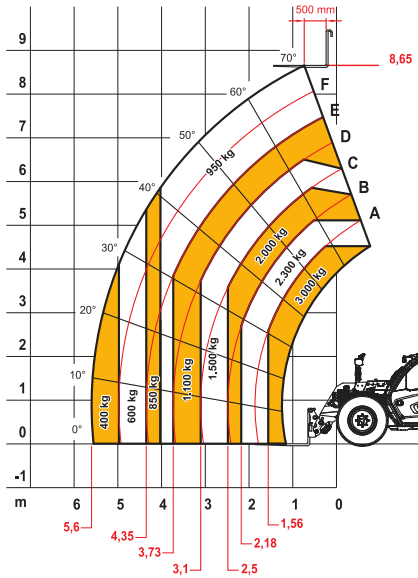
EN1459

34.7

MAX
3000 kg



DOC10001775



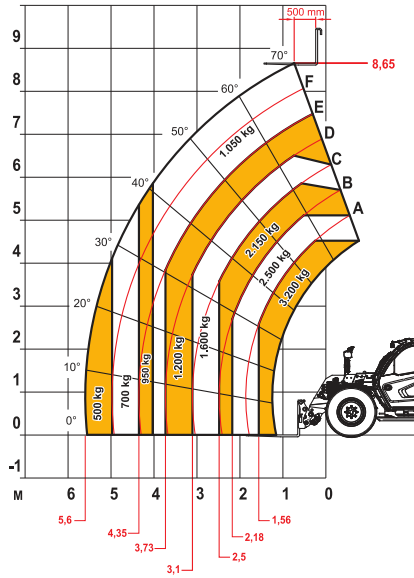
EN1459

30.9

MAX
3200 kg



DOC10001776



EN1459

32.9